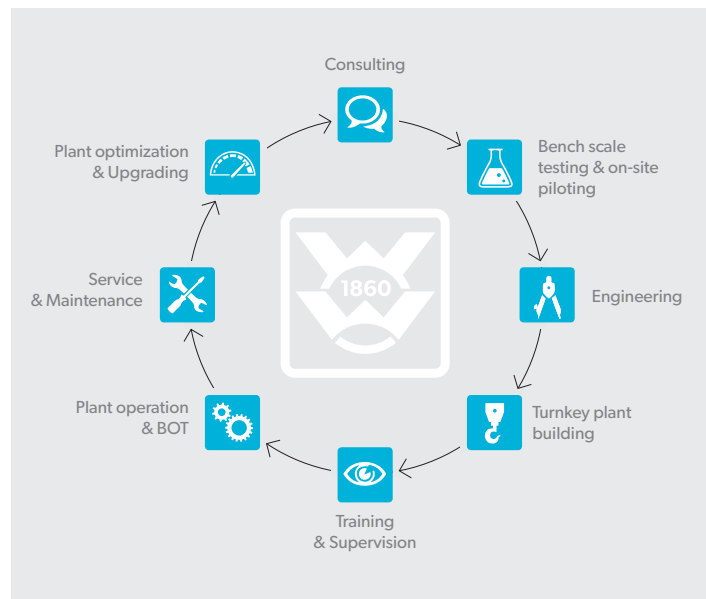


Pre-Services: Concept Development

WEHRLE also offers services for wastewater treatment plants during all planning phases, in order to find the ideal treatment concept:

- ▶ Consulting
- ▶ Laboratory analysis
- ▶ Laboratory trials
- ▶ Feasibility studies
- ▶ On-site piloting
- ▶ Rental plants & components
- ▶ Concept development and plant engineering

Do not hesitate to contact us – we are glad to support you!



WEHRLE-WERK AG

Plant engineering from one source for the entire water path

Since 1982, WEHRLE sets benchmarks as pioneer and technology leader for the treatment of very difficult and complex wastewater. The wide range of available process technologies allows intelligent process combinations to fulfil the requirements and expectations of the client in the best possible way. WEHRLE consults, engineers and builds plants. This includes corresponding services such as piloting, efficiency optimization and retrofitting of existing plants.

Especially for applications in the industry, factors beyond the applied technology are important. A reliable performance to cater for possible variations of wastewater volume and loading of the wastewater (e.g. caused by batch production or changes of product lines), changing climate conditions, as well as a modular design for future upgrades of the production and simple operation, to allow outsourcing of the plant operation. The stable high effluent quality of WEHRLE plants make an optional upgrade easy, e.g. to reuse/ recycle the treated water to save costs for process water, heat and possibly water softening.

WEHRLE is dedicated to the company's history: As family-owned company reliability, longevity and openness with our clients and partners are our top priorities. The clients of WEHRLE trust in this philosophy – in over 45 countries and on 5 continents.

Contact

WEHRLE-WERK AG
Bismarckstrasse 1-11
79312 Emmendingen
Germany
Tel.: +49 7641 585-0
info@wehrle-werk.de
www.wehrle-werk.de



Homepage

SERVICE PACKAGE II: AFTER-SALES SUPPORT



Services for Operators of Wastewater Treatment Plants

The demands for operators of wastewater treatment plants are permanently high. Whilst a reliable operation must be ensured at all time and sometimes measures must be taken in advance to evade operational problems, the operation must be as efficient, cost effective and material saving as possible. Additionally, multiple factors must be considered, for example, great fluctuations of wastewater composition and volumes as well as necessary replacements of components.

WEHRLE has an effective Service Department and offers a wide service portfolio to support operators. Our experience gained from building turnkey projects and operating full scale installations allows us to compare plant performance and benchmark them to identify potential for the reduction of operational expenditure. The development of individual concepts for an optimised plant management, the increase of efficiency and the delivery of suited plant extensions are the core strength of our Service Team. This does not only apply to original WEHRLE installation, but also to every other operational wastewater treatment plant.



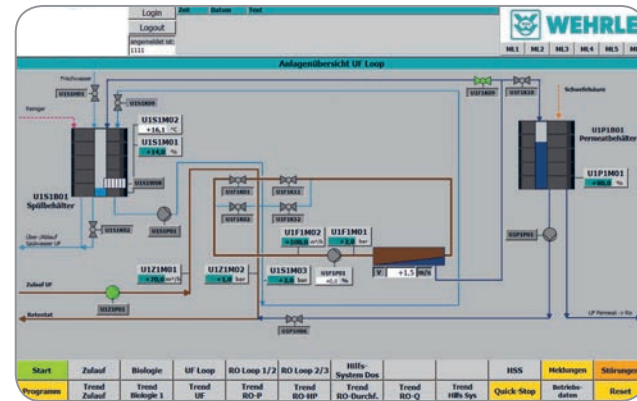
Overview of our Services

Remote diagnostics & operation support	Quick support and problem solving in case of plant malfunctioning.
Service & Maintenance	Ensure reliable plant operation by professional service and maintenance.
Spare parts & Online-Shop	Competent consulting and supply of spare parts and consumers to secure a proper plant functioning without interruptions.
Operating staff & Contracting	Development of Operation and Management concepts for wastewater treatment. Support of plant operators by qualified operating personnel.
Efficiency analysis & Optimisation	Benchmarking to optimise plant efficiency and reduce treatment costs.
Plant extensions & Upgrades	Development of concepts to increase plant performance or for plant extensions.

Remote Diagnostics and Operational Support

According to the client's requirements, WEHRLE plants may be equipped with a remote monitoring and operating system, which enables our service personnel to directly dial into the plant, check the current status and give qualified recommendations for the plant operation.

Critical operating states can therefore be evaded in advance and quick, efficient solutions of problems can be carried out remotely.



Service and Maintenance

Full-scale maintenance and repair works for different plant components of the wastewater treatment plant, especially for aggregates and measuring/analyzing instruments to ensure the stability of the plant operation.

Support for audits or inspections of plant components, e.g. from authorities or official institutions, as well as assistance in issuing explosion protection documents for the wastewater treatment plant.

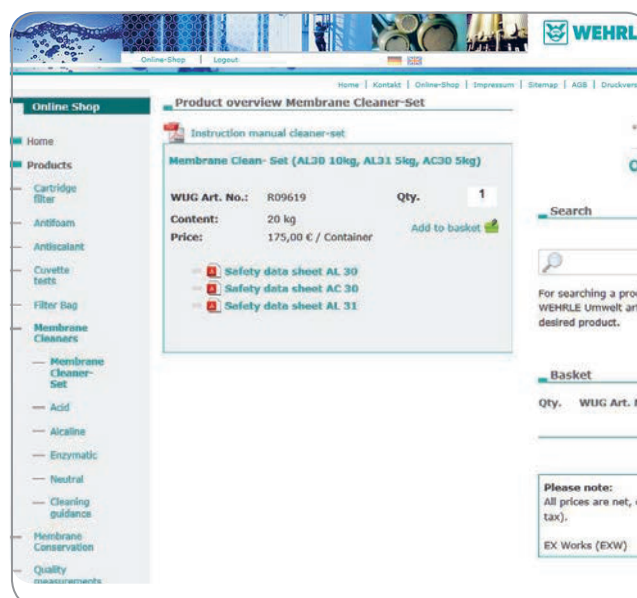


Spare Parts & Online-Shop

Quick and competent recommendation and supply of spare and wear parts as well as of specific consumables to guarantee a sustainable and smooth plant operation.

Working closely together with our partners, we can offer our clients most competitive prices for various plant components.

Moreover, WEHRLE offers its clients access to an online-shop with spare parts and consumables, ensuring an even faster supply of components. If you are interested to order via our online-shop, please do not hesitate to contact us to get access.



Operating Staff & Contracting

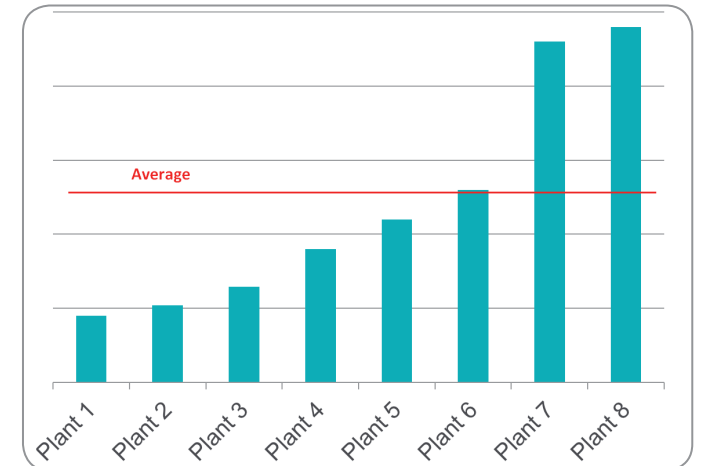
WEHRLE's competent and experienced service personnel is trained to fully support the plant operators of wastewater treatment plants within the scope of a service contract.

Furthermore, WEHRLE can take over the complete operation of the wastewater treatment plant. For this purpose, WEHRLE offers management contracts for client-owned wastewater treatment plants or places a wastewater treatment plant within a contracting agreement and manages the entire plant operation.



Efficiency Analysis & Plant Optimisation

To optimise the operation of wastewater treatment plants, WEHRLE carries out efficiency analysis and benchmarking to draw up comparisons to other similar wastewater treatment plants. Based on the gained and evaluated data, optimisation measures for the plant operation and installation are developed and recommended. For this purpose, WEHRLE also offers individual, customer-focused service agreements for support on a long-term basis.



Plant Extensions and Upgrades

When existing wastewater treatment plants reach their performance limits, a reduced output might be a consequence. In that case, WEHRLE specifically develops economic concepts together with its clients to increase the plant capacity and availability as well as for possible extensions and upgrades of the installation.



before



after